



TD-2300F / TD-3000F(Optional)



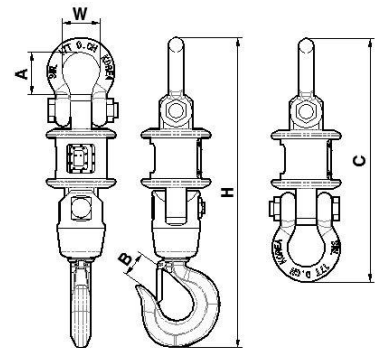
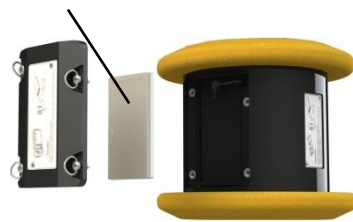
TF-100



TF-400

ZigBee Controller (Option)

[Battery Pack]



FEATURE

- ◆ Water Proof : IP-65
- ◆ Easy to exchange battery pack (1/4 Rotary clamp)
- ◆ Wireless communication by using Zigbee (Standard)
- ◆ Interface with Wireless Remote Display and Controller

MODEL	H	A	W	B	C
TE - 10T	782	99	83	55	623
TE - 20T	1031	151	128	75	842
TE - 30T	1204	164	146	82	945
TE - 50T	1636	222	184	104	1013

MODEL	TE-10T	TE-20T	TE-30T	TE-50T
Capacity	10,000kg	20,000kg	30,000kg	50,000kg
Division	5kg	10kg	10kg	20kg
Product Weight	23kg	54kg	93kg	155kg
Operating time	Approx. 90hr			
Battery	3.7VDC Lithium Polymer Battery			
Temperature range	-10℃ ~ 40℃			
Frequency	2.4 GHz			
Frequency range	100m(Open Space)			
Keypad	Power & Zero key (1key)			
Display lamp	Low Battery (Green), Power On (Red)			
Loading limit	150%			
Parts	Charging Adaptor, Lithium Polymer Battery			
Case Material	Engineering plastic			